

# New!

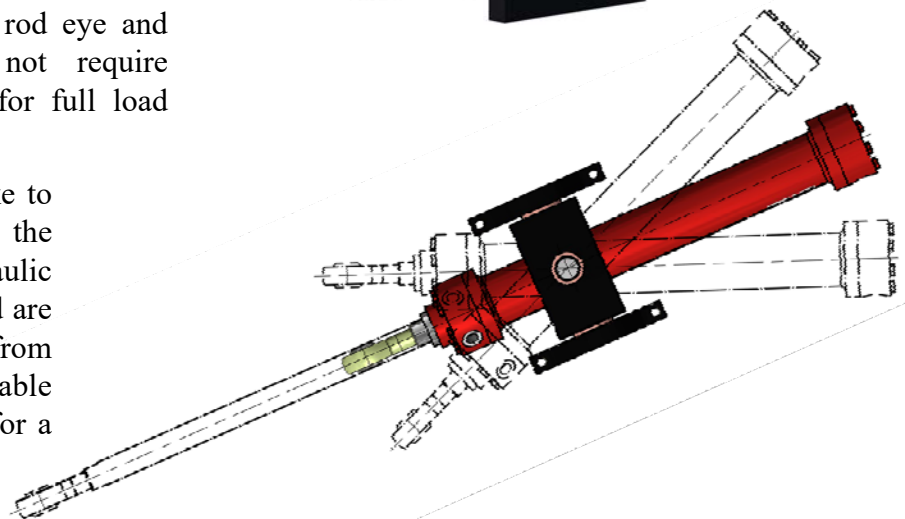


## Hydraulic Actuators

- Full range of motion cardanic ring
- Non-lube composite bearings
- Mill type welded cylinders
- Corrosion resistant NitroSteel rod
- Heavy duty marine design
- 10,000 to 120,000 pound force capability

Electro Hydraulic Machinery's hydraulic actuators are the simple solution to powering any linear motion. This unique cardanic ring mounting arrangement quickly solves cylinder alignment and rod buckling issues. The actuator is free to move in six different planes. All hydraulic cylinders are heavy duty mill type welded construction with NitroSteel rods. These nitride surface treated rods are a superior alternative to chrome plating or stainless steel rods at a fraction of the costs. Each actuator comes complete with a spherical rod eye and composite trunnion bearings that do not require lubrication. EHM actuators are designed for full load continuous duty at 3000psi.

Actuators can be made in any size or stroke to fit your application and are available off the shelf in 4 standard sizes. HiLo Biro hydraulic power units can be fitted to any actuator and are available with various control packages from 115VAC single phase to 460V 3 phase variable speed drives. EHM is your one stop shop for a complete integrated actuator package.



# ELECTRO HYDRAULIC MACHINERY CO.

### Model Number Selection

1	2	3	4	5	6	7	8	9	10	11	12
H	A	0	A	0	S	0	0	0	0	0	0

# 1	Model Code
H	Hydraulic

# 2	Model Code
A	Actuator

# 3	Arrangement
0	Actuator only
W	With HPU

# 4	Retract	Extend	Stroke	Bore	Annulus
size	pounds	pounds	inches	sq. in.	sq. in.
A	10,000	14,000	20	5	3
B	20,000	28,000	30	10	7
C	50,000	60,000	45	20	17
D	120,000	150,000	72	50	41

Standard sizes shown, custom stroke on request  
Forces based on maximum pressure 3000psi.

# 5	Position Feedback
0	Without position feedback
A	With position feedback

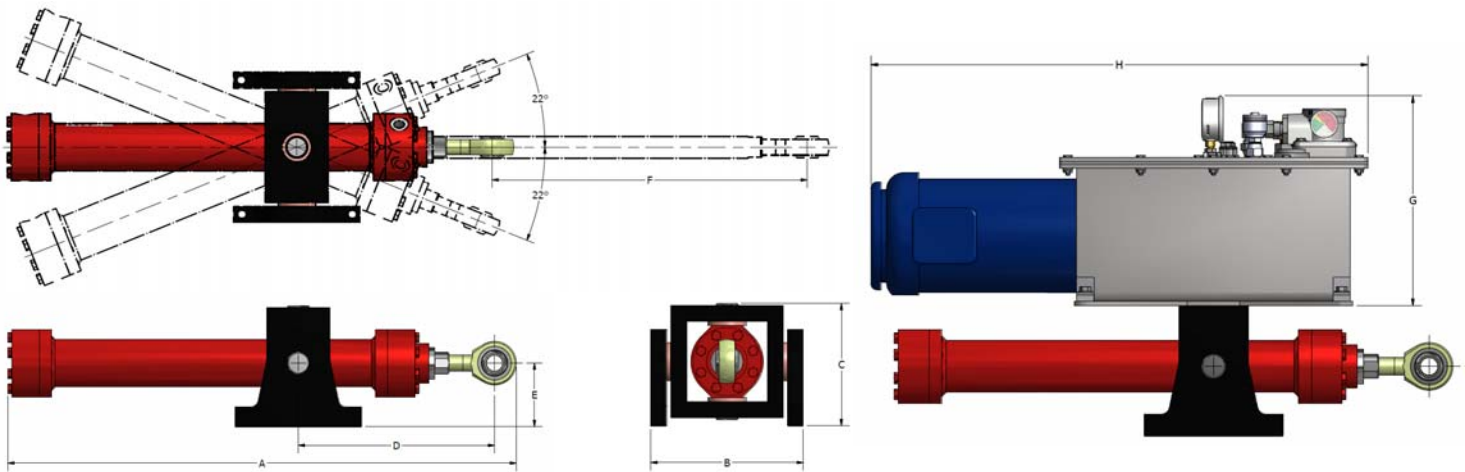
# 6	Optional Shim Kit
S	1/2" SS shim pack

# 7 & 8	Actuator with HPU (extend/retract times) in inches/sec					
size	2HP ext.	2HP ret.	5HP ext.	5HP ret.	10HP ext.	10HP ret.
A2	2.4	3.4				
B2	1.2	1.6				
B5			3.2	4.3		
C5			1.6	1.9		
C1					2.9	3.5
D5			0.6	0.8		
D1					1.1	1.4

Speeds are based on EHM HiLo BiRo power unit standard flows  
Other speeds are available on request

# 9	Optional Electrical Controls		
A	2HP	VFD	115 VAC
B	2HP	VFD	220 VAC
C	2HP	FVR	230/460
D	5HP	FVR	230/460
E	5HP	VFD	220 VAC
F	5HP	VFD	230/3ph
G	5HP	VFD	460/3ph
H	10HP	FVR	230/460
I	10HP	VFD	220 VAC
J	10HP	VFD	230/3ph
K	10HP	VFD	460/3ph

# 10 - 11 - 12	Special Option #
S	Special
O	Option
*	Number



**Actuator**

Model	Dimensions (inches)								Clevis Pin Diameter	Actuator Pounds	With HPU Pounds
	A	B	C	D	E	F	G	H			
A	32	9.5	7.5	10	4	20	12	29	1	70	180
B	45	14.5	12	15	6	30	14	37	1.38	150	260
C	62	16	13	22	6.5	45	14	37	1.75	325	500
D	93	25	22	36	11	72	14	40	2	770	1000

## ELECTRO HYDRAULIC MACHINERY CO.

2501 John P Lyons Lane  
Pembroke Park, Florida 33009  
954-981-0023

[www.ehmcompany.com](http://www.ehmcompany.com)